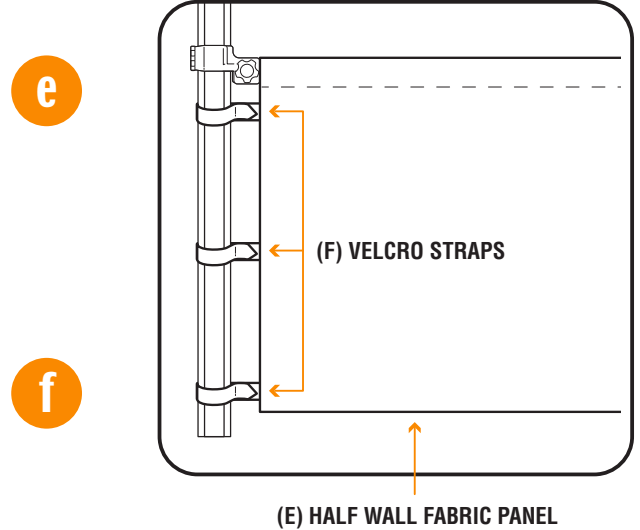
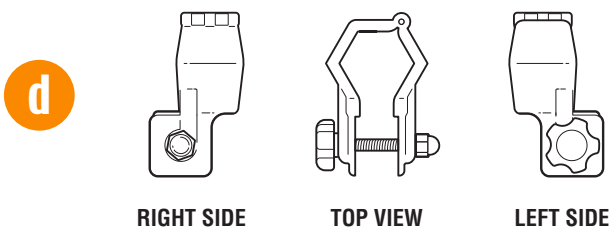
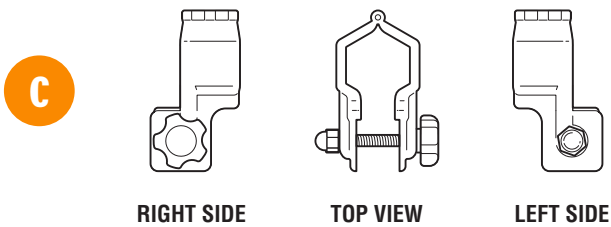
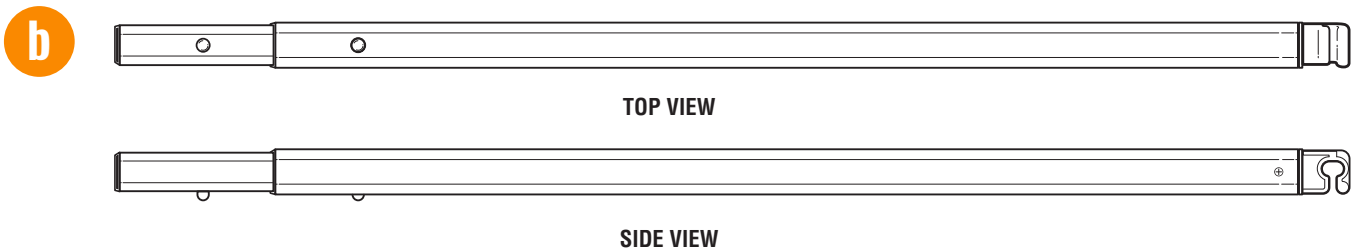
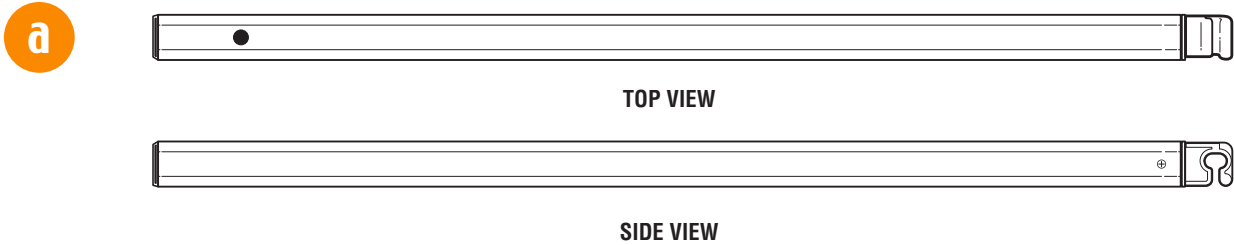


MARQUEE HALF-WALL INSTRUCTIONS - PARTS DIAGRAM



Marquee Half-Wall – Parts List (Per Wall)

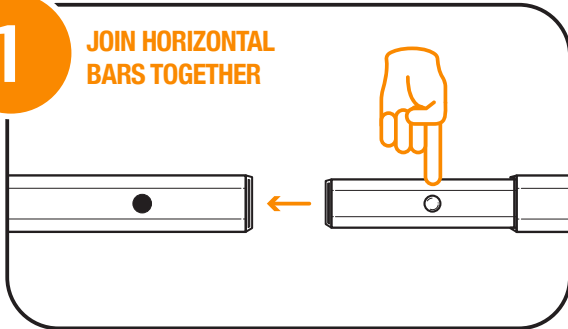
(A) HORIZONTAL BAR (A) X 1
(B) HORIZONTAL BAR (B) X 1

(C) PLASTIC CLAMP (C) X 1
(D) PLASTIC CLAMP (D) X 1

(E) HALF WALL FABRIC PANEL X 1
(F) VELCRO STRAPS (ATTACHED)

MARQUEE HALF-WALL ASSEMBLY INSTRUCTIONS

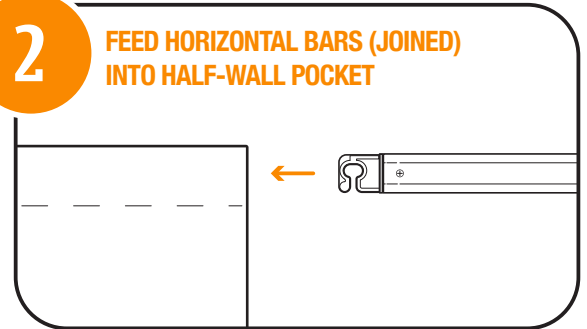
1 JOIN HORIZONTAL BARS TOGETHER



Ensure all parts are present (refer to parts list on Page 1).

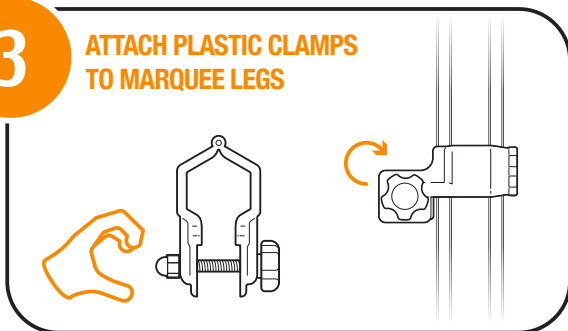
Press down the exposed stud of Horizontal Bar (B), and insert into corresponding Horizontal Bar (A). Push together until stud clicks into place through the hole.

2 FEED HORIZONTAL BARS (JOINED) INTO HALF-WALL POCKET



Face the 'hooks' of the joined Horizontal Bars (A,B) down, then feed through the pocket at the top of the Half Wall Fabric Panel (E).

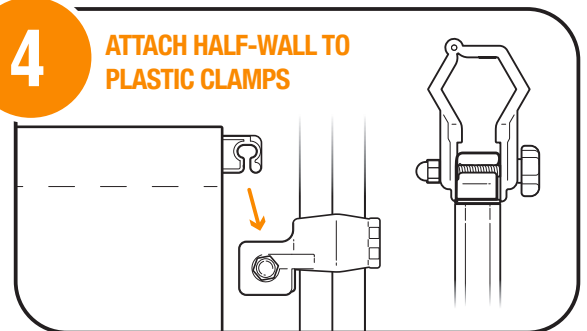
3 ATTACH PLASTIC CLAMPS TO MARQUEE LEGS



Unwind the nut on Plastic Clamp (C) until the clamp comes apart. Attach clamp to the marquee leg. Screw back together and fasten tightly. Repeat on other leg for Plastic Clamp (D).

Note: clamps must face each other once they are attached (not diagonal).

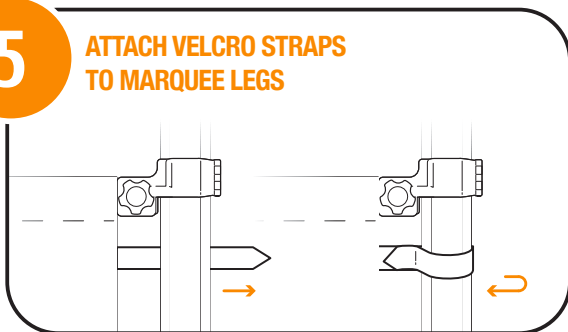
4 ATTACH HALF-WALL TO PLASTIC CLAMPS



Take the assembled half-wall (A,B,E) and lift above the Plastic Clamps (C,D).

Then, lower the half-wall onto clamps until 'hooks' click into place (see underside-view on the right of above picture).

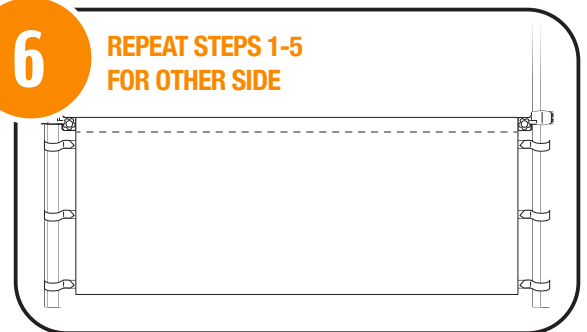
5 ATTACH VELCRO STRAPS TO MARQUEE LEGS



Pull each of the 3 x Velcro Straps (F) straight, and wrap them around the marquee leg, attaching the strap back to itself at the base. Repeat for the other side of the half-wall.

Note: ensure the straps are not too tight, the wall should not pass the marquee leg.

6 REPEAT STEPS 1-5 FOR OTHER SIDE



Repeat steps 1 - 5 for the Marquee Half-Wall Assembly on any other Half-Walls you have